

CMD
P1FR/11.11

Radial Piston Pump type P1/2FR

LOGO

Replaces : CM P1FR/02.10

Series : 12

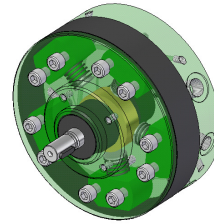
up to 700 bar

up to 30 L/min.

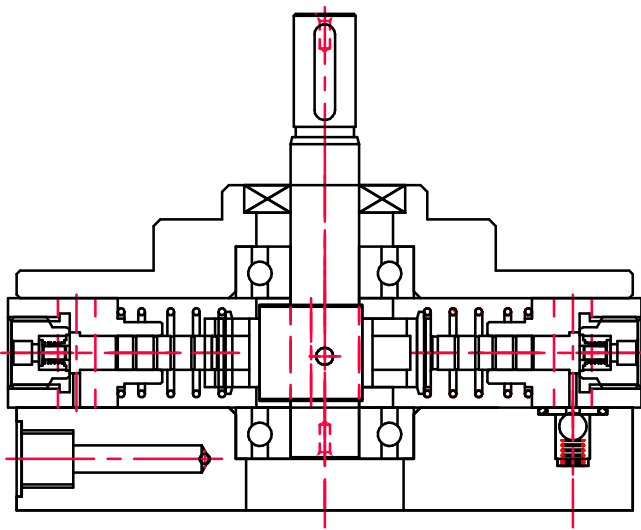
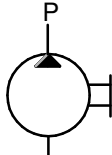
CM Hydro Systems Pvt Ltd

Features :

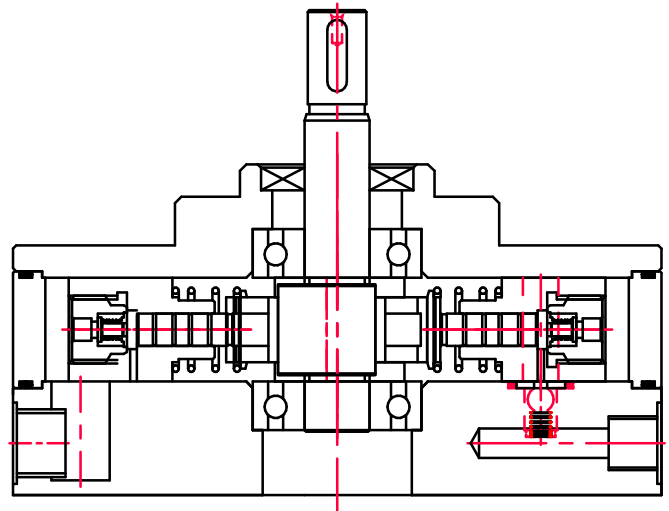
- Fixed delivery
- Self priming valve controlled
- Bi-directional shaft rotation
- Available with Extension shaft
- Compact & Low noise



Symbols :



Open Type



Closed Type

Ordering Code

P	X	FR	X	12	/	X	-	X	X	X	*
---	---	----	---	----	---	---	---	---	---	---	---

Pump

Single Pump=1

Double Pump=2

Pump Execution Code

C=Closed

O=Open

Design Series

Size (Refer Table-1,2,3,4) Page 3

Pressure : 700,500,350,250.

Extension Shaft E(Omit if not required)

Seals(Omit for Standard)

Others

CMD P1FR/11.11	Radial Piston Pump type P1/2FR			LOGO
Replaces : CM P1FR/02.10	Series : 12	up to 700 bar	up to 30 L/min.	CM Hydro Systems Pvt Ltd

TABLE -1

Geom.Vol. CC/Rev.	Pressure
0.3	700 Bar
0.6	700 Bar
0.9	700 Bar

TABLE -2

Geom.Vol. CC/Rev.	Pressure
1.6	500 Bar
2.0	500 Bar
2.5	500 Bar
3.15	500 Bar
4.00	500 Bar
5.00	500 Bar

TABLE -3

Geom.Vol. CC/Rev.	Pressure
6.30	350 Bar
8.00	350 Bar
10.0	350 Bar

TABLE -4

Geom.Vol. CC/Rev.	Pressure
12.0	250 Bar
16.0	250 Bar
20.0	250 Bar

Technical data (for other sizes and special application, please contact mktg@cmhydraulics.com)

Maximum operating pressure	bar	700 Bar
Maximum flow		Refer Table-1,2,3,4
Pressure fluid		Mineral oil (HL,HLP) to DIN 51 524; Fast bio-degradable pressure fluids to VDMA 24 568;HTEG (rape seed oil); HEPG (polyglycol); HEES (synthetic ester); other fluids on request
Pressure fluid - temperature range	°C	- 30 to + 80
Viscosity range	mm ² /s	2.8 to 500
Degree of contamination		Maximum permissible degree of contamination of the fluid is to NAS 1638 class 9.

CMD
P1FR/11.11

Radial Piston Pump type P1/2FR

LOGO

Replaces : CM P1FR/02.10

Series : 12

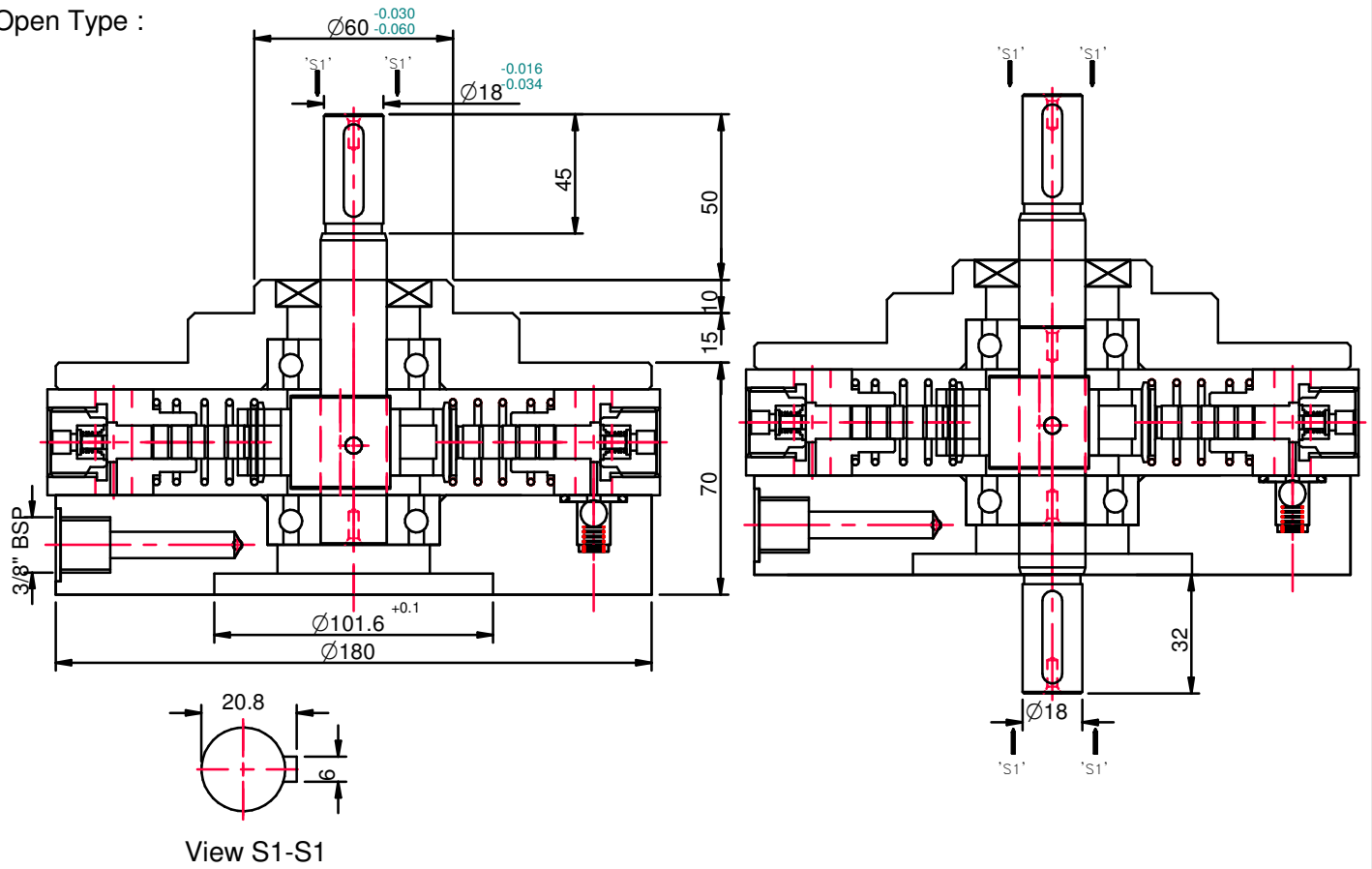
up to 700 bar

up to 30 L/min.

CM Hydro Systems Pvt Ltd

Overall Dimensions :

Open Type :



Closed Type :

