

CMD
NRPM/11.11

Pilot operated Non Return Valve Type NRPM

LOGO

Replaces : NRPM 10.09

Size : 06 & 10

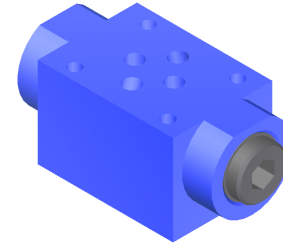
up to 315 bar

up to 80 L/min.

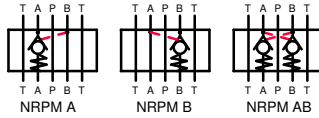
CM Hydro Systems Pvt Ltd

Features :

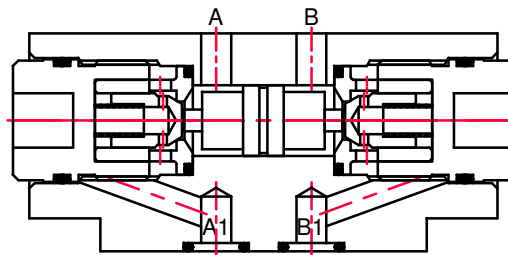
- Sandwich plate type valve
- Check valve facility on A,B or both A & B ports
- Free flow in reverse direction is achieved by means of pilot pressure in other working port
- Various cracking pressure, optional (see ordering code)



Symbol :



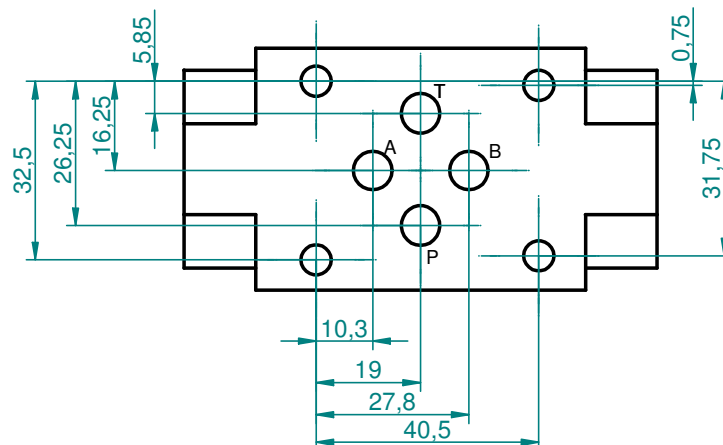
Sectional view



Ordering code

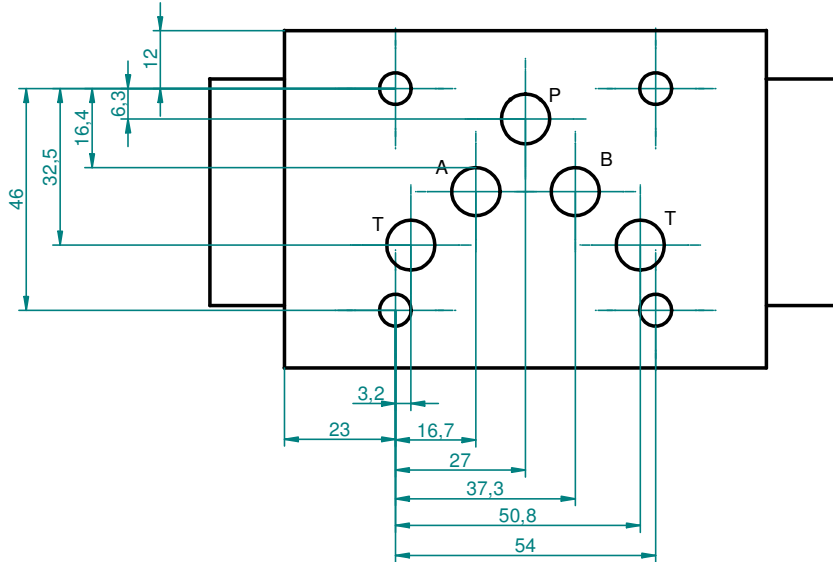
NRPM		*
Pilot operated Non Return valve (Modular construction)		Further details to specify
Nominal size 06	=06	Revision status index
Nominal size 10	=10	
Pilot optd. check facility		} Cracking pressure in bar
on port A & B	=AB	
on port A	=A	
on port B	=B	
For NBR seals	=No code	
For FPM seals	=N	

Unit dimensions NG 06



CMD NRPM/11.11		Pilot operated Non Return Valve Type NRPM			LOGO
Replaces : NRPM 10.09		Size : 06 & 10	up to 315 bar	up to 80 L/min.	CM Hydro Systems Pvt Ltd

Unit dimensions NG 10



Technical data (for other sizes and special application, please contact mktg@cmhydraulics.com)

Mounting style		Sandwich type valve	
Mounting position		optional	
Cracking pressure	bar	0,1,2,3 & 5	
Maximum operating pressure	bar	315	
Flow Direction		From A to A1 or B to B1 free flow, pilot flow in other direction	
Maximum flow	Size	06	10
	L/min.	35	80
Pressure fluid		Mineral oil (HL,HLP) to DIN 51 524; Fast bio-degradable pressure fluids to VDMA 24 568;HTEG (rape seed oil); HEPG (polyglycol); HEES (synthetic ester); other fluids on request	
Pressure fluid - temperature range	°C	- 30 to + 80	
Viscosity range	mm ² /s	2.8 to 500	
Degree of contamination		Maximum permissible degree of contamination of the fluid is to NAS 1638 class 9.	
Weight	Size	06	10
	Kg.	0.86	2.05