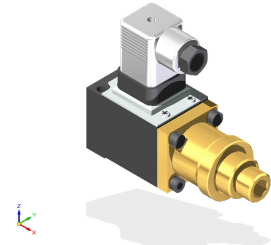
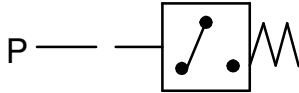
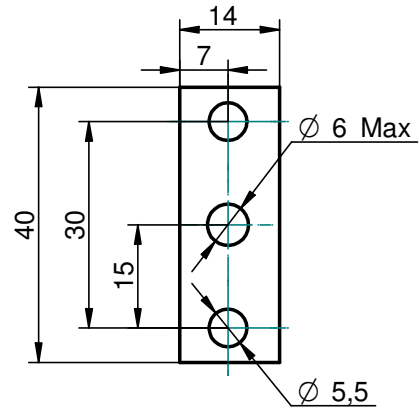
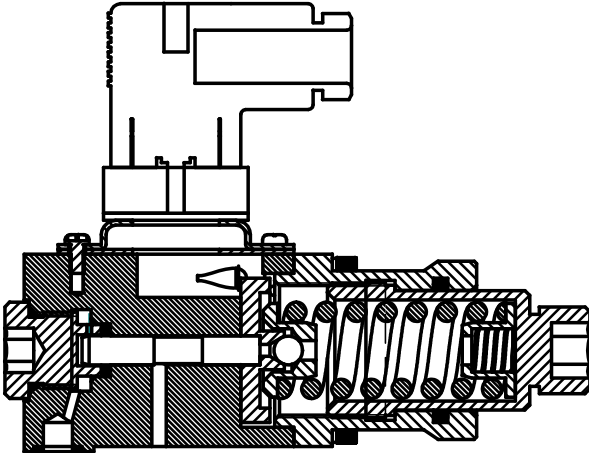


CMD HPS/11.11	Pressure Switch Type HPS			LOGO
				CM Hydro Systems Pvt Ltd
Replaces : NIL	Size : 06	315 bar	-	

- Features :
- Modular construction
 - Piston type construction
 - Available in different pressure ranges



Mounting Details:-



Ordering code

HPS S 06 100 *

Subplate mounting

=S

Further details to specify

Revision status index

Size

- 50 = Pr. 50 Bar
- 100 = Pr. 100 Bar
- 200 = Pr. 200 Bar
- 315 = Pr. 315 Bar

Technical data (for other sizes and special application, please contact mktg@cmhydraulics.com)

Maximum operating pressure	bar	315 Bar
Operating pressure	bar	50, 100, 200, 315
Maximum flow	L/min.	-
Electrical rating		250 V.AC 5.0 Amps. 50 V.DC 1.0 Amps. 250 V.DC 0.2 Amps.
Electrical connection		Plug in DIN connector
Pressure fluid - temperature range	°C	- 30 to + 80
Viscosity range	mm ² /s	2.8 to 500
Degree of contamination		Maximum permissible degree of contamination of the fluid is to NAS 1638 class 9.
Weight	Kg.	1.2 Kg