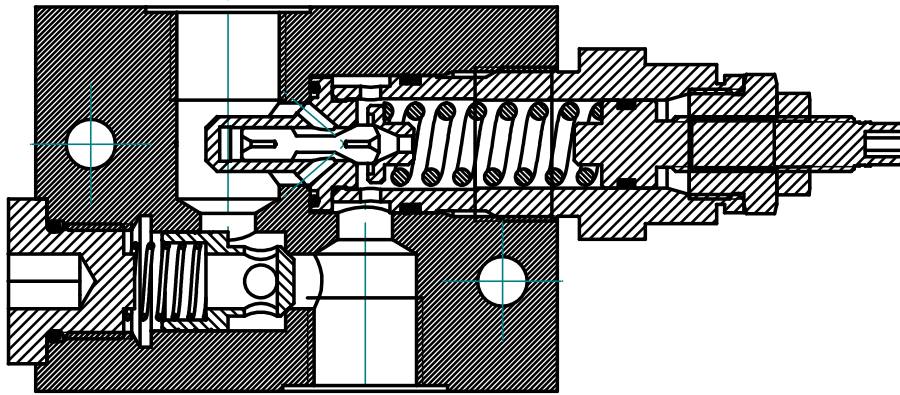
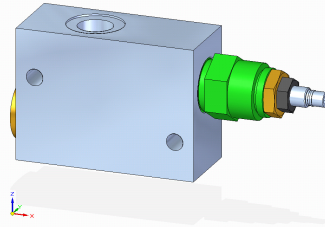


CMD FVD/11.11	Counter Balance Valve type FVD			LOGO
Replaces : NIL	Size : 10 & 20	315 bar	Upto120 L/min.	CM Hydro Systems Pvt Ltd

**Features :**

- Modular construction
- Available in different sizes
- Available in different pressure ranges



**Ordering code**

FVD S 10 T 100 \*

Set screw type

=S

Further details to specify

Size  
=10  
=20

Revision status index

Threded

25 = Pr. 25 Bar  
50 = Pr. 50 Bar  
100 = Pr. 100 Bar  
200 = Pr. 200 Bar  
315 = Pr. 315 Bar

**Technical data** (for other sizes and special application, please contact [mktg@cmhydraulics.com](mailto:mktg@cmhydraulics.com))

Maximum operating pressure	bar	315 Bar
Operating pressure	bar	25, 50, 100, 200, 315
Maximum flow	L/min.	NG 10=30; NG 20=120
Pressure fluid		Mineral oil (HL,HLP) to DIN 51 524; Fast bio-degradable pressure fluids to VDMA 24 568;HTEG (rape seed oil); HEPG (polyglycol); HEES (synthetic ester); other fluids on request
Pressure fluid - temperature range	°C	- 30 to + 80
Viscosity range	mm <sup>2</sup> /s	2.8 to 500
Degree of contamination		Maximum permissible degree of contamination of the fluid is to NAS 1638 class 9.
Weight	Kg.	NG 10=2.1 Kg; NG 20= 6Kg.

CMD  
FVD/11.11

# Counter Balance Valve type FVD

LOGO

Replaces : NIL

Size : 10 & 20

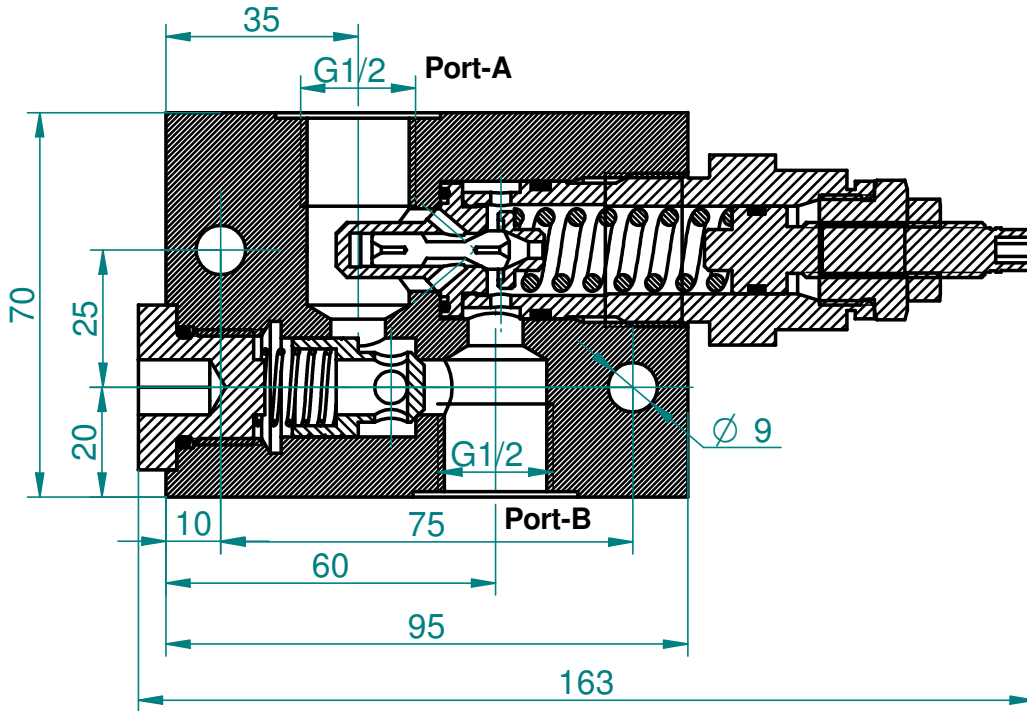
315 bar

40 L/min.

CM Hydro Systems Pvt Ltd

## Mounting Details

### Mounting Details Size NG 10:-



### Mounting Details Size NG 20:-

