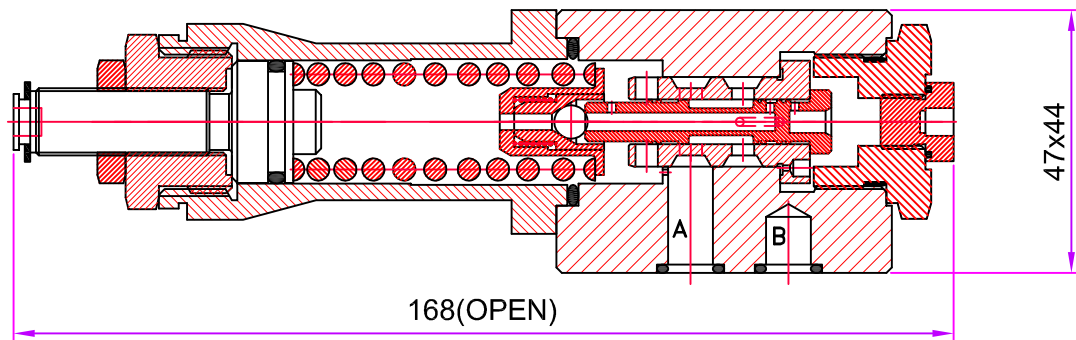


|                  |  |           |         |           |
|------------------|--|-----------|---------|-----------|
| CMD<br>SVD/11.11 | Direct Operated Pressure Sequence Valve type SVD |           |         | LOGO      |
|                  | Replaces : SVD/10.09                             | Size : 06 | 315 bar | 40 L/min. |

|   |                    |
|---|--------------------|
| <b>Features :</b><br>- Modular construction<br>- Available in different drain options<br>- Available in different pressure ranges | Space for 3-D view |
|---|--------------------|



**Ordering code**

SVD 06 01 100 \*

|                                 |     |       |                            |
|---------------------------------|-----|-------|----------------------------|
| Nominal size 06                 | =06 |       | Further details to specify |
| Drain Options                   |     |       | Revision status index      |
| Internal Pilot & Internal Drain | =01 | 25 =  | Pr. 25 Bar                 |
| External Pilot & Internal Drain | =02 | 50 =  | Pr. 50 Bar                 |
| Internal Pilot & External Drain | =03 | 100 = | Pr. 100 Bar                |
| External Pilot & External Drain | =04 | 200 = | Pr. 200 Bar                |
|                                 |     | 315 = | Pr. 315 Bar                |

|  |                    |  |
|--|--------------------|--|
| Technical data (for other sizes and special application, please contact <a href="mailto:mktg@cmhydraulics.com">mktg@cmhydraulics.com</a> ) |                    |  |
| Maximum operating pressure   | bar                | 315 Bar  |
| Operating pressure   | bar                | 25, 50, 100, 200, 315  |
| Maximum flow   | L/min.             | 40   |
| Pressure fluid   |                    | Mineral oil (HL,HLP) to DIN 51 524;<br>Fast bio-degradable pressure fluids to VDMA 24 568;HTEG (rape seed oil);<br>HEPG (polyglycol); HEES (synthetic ester);<br>other fluids on request |
| Pressure fluid - temperature range   | °C                 | - 30 to + 80   |
| Viscosity range  | mm <sup>2</sup> /s | 2.8 to 500   |
| Degree of contamination  |                    | Maximum permissible degree of contamination of the fluid is to NAS 1638 class 9.   |
| Weight   | Kg.                | 1  |

CMD  
SVD/11.11

# Direct Operated Pressure Sequence Valve type SVD

LOGO

Replaces : SVD/10.09

Size : 06

315 bar

40 L/min.

CM Hydro Systems Pvt Ltd

## Mounting Details

