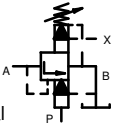


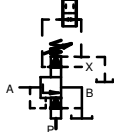
CMD URVP/11.11	Pilot Operated Pressure Relief Cum Unloading Valve type URVP		LOGO
	Replaces : NIL	Size : 10,20 & 30	315 bar Upto400 L/min.

Features :

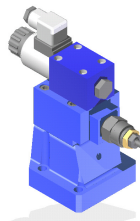
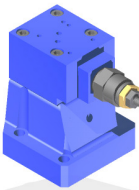
- Modular construction
- Available in different sizes
- Available in different pressure ranges

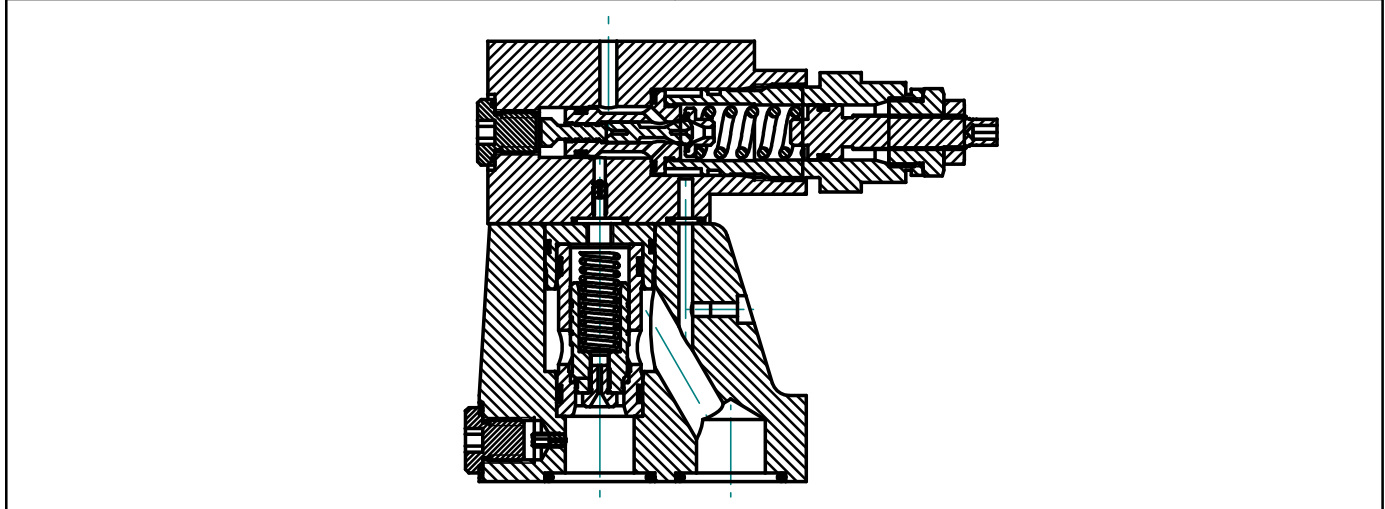


Valve with Internal pilot drain



Valve with External pilot drain and solenoid control



Ordering code

URVP	S	20	S	E	100	A	*
Set screw type	=S						Solenoid Coil Voltage
Hand Knob type	=H						220 V.AC 24 V.DC
Size	10,20,30						Solenoid Valve A-normally closed B-normally open
Sub-plate type	Internal pilot I External pilot Y						25 = Pr. 25 Bar 50 = Pr. 50 Bar 100 = Pr. 100 Bar 200 = Pr. 200 Bar 315 = Pr. 315 Bar

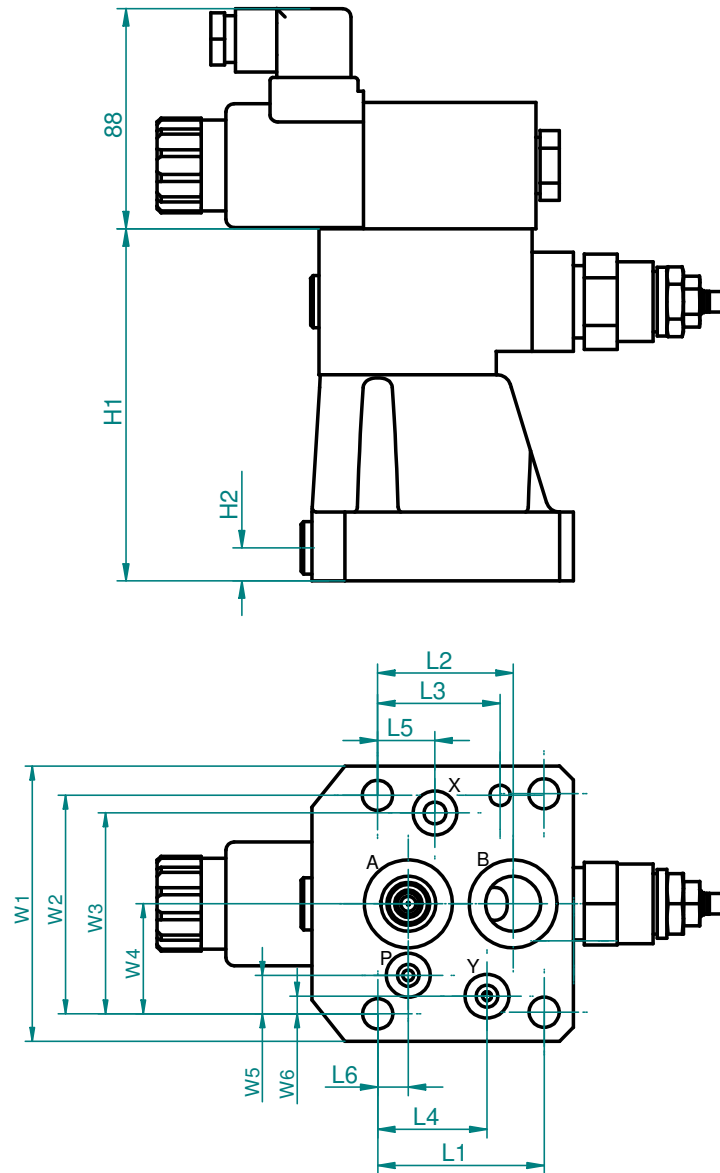
Technical data (for other sizes and special application, please contact mktg@cmhydraulics.com)

Maximum operating pressure	bar	315 Bar
Operating pressure	bar	25, 50, 100, 200, 315
Maximum flow	L/min.	NG10=100; NG20=200; NG30=400.
Pressure fluid		Mineral oil (HL,HLP) to DIN 51 524; Fast bio-degradable pressure fluids to VDMA 24 568;HTEG (rape seed oil); HEPG (polyglycol); HEES (synthetic ester); other fluids on request
Pressure fluid - temperature range	°C	- 30 to + 80
Viscosity range	mm ² /s	2.8 to 500
Degree of contamination		Maximum permissible degree of contamination of the fluid is to NAS 1638 class 9.
Weight	Kg.	NG 20= 8Kg.

CMD URVP/11.11	Pilot Operated Pressure Relief Cum Unloading Valve type URVP			LOGO
	Replaces : NIL	Size : 10,20 & 30	315 bar	Upto 400 L/min.

CM Hydro Systems Pvt Ltd

Mounting Details



SIZE	L1	L2	L3	L4	L5	L6	W1	W2	W3	W4	W5	W6	H1	H2
10	42.9	35.7	31.8	21.4	21.4	7.1	86	66.7	58.7	33.3	11	7.9	125	13
20	60.5	49.2	44.5	39.7	20.8	11.1	100	79.4	73	39.7	14	6.4	128	12
30	84.1	67.5	62.7	59.6	24.6	16.7	140	96.8	92.9	48.1	15	4	145	14