

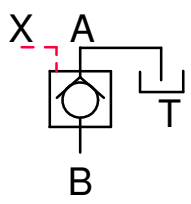
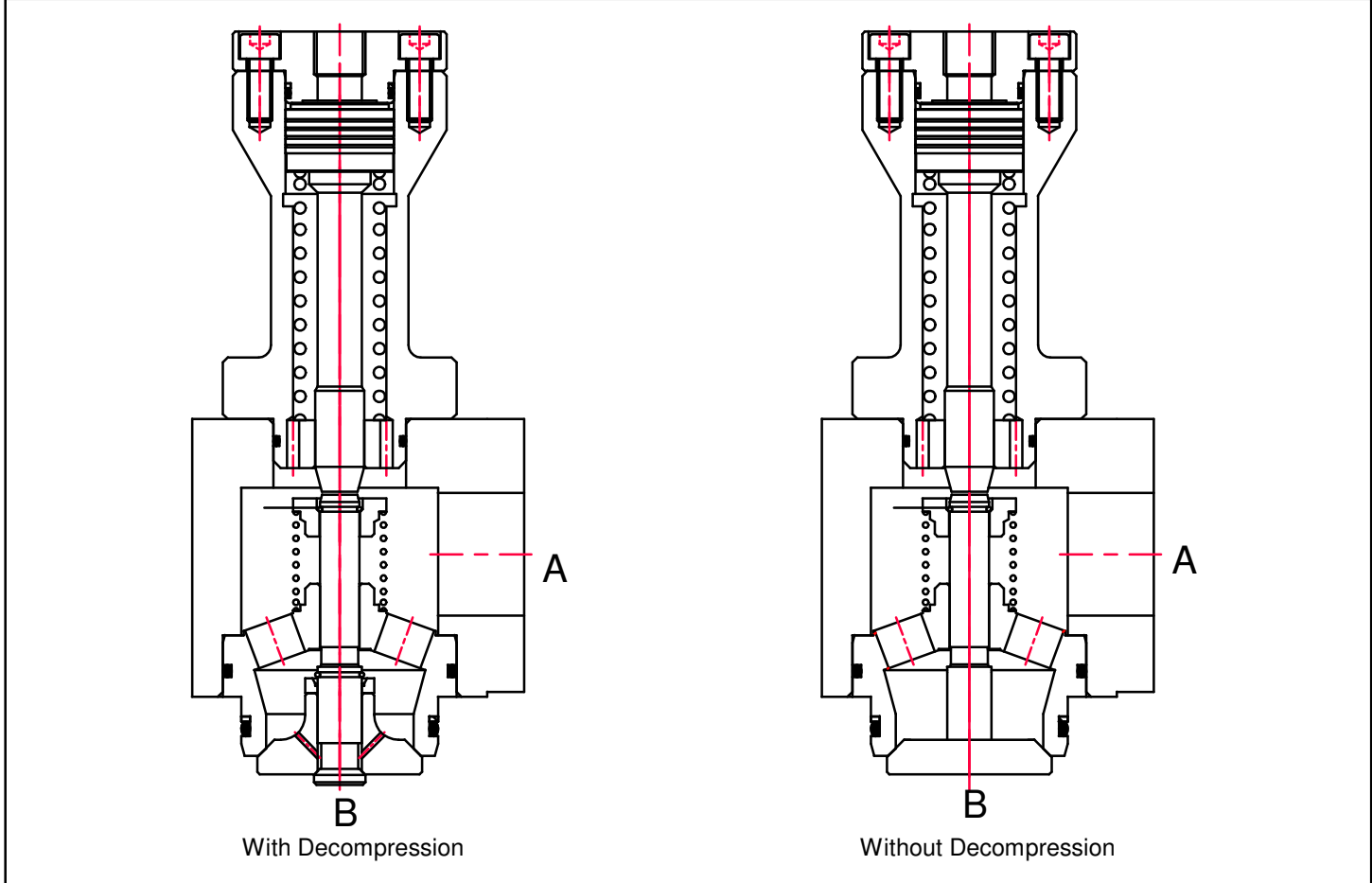
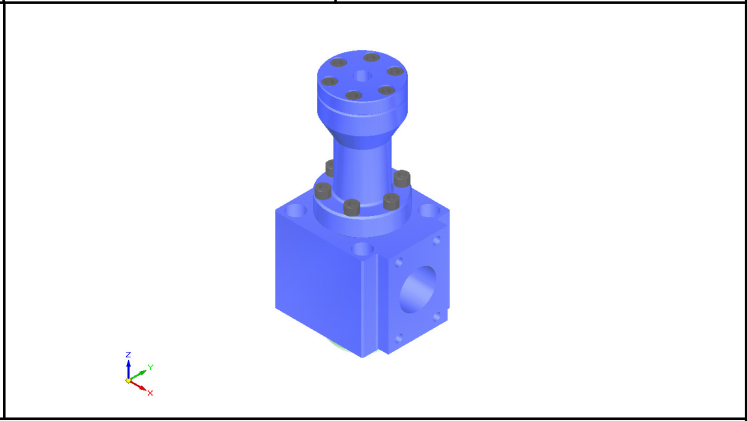
CMD EXP/11.11	Exhaust & Prefill Valve Type : EXP		LOGO
	Replaces : EXP/02.10	Size : 50 to 80	up to 315 bar

CM Hydro Systems Pvt Ltd

Features :

- A to B free flow
- B to A Pilot Operated
- Available with decompression or without decompression
- Directly Mounted to Hydraulic Cylinder

Symbols :

Ordering code :

EXP					*
Nominal size 50	= 50	Further details to specify _____ Revision status index _____			
Nominal size 63	= 63				
Nominal size 80	= 80				
Mounting		1 = With Decompression 2 = Without Decompression			
Flange Mounting	= 01				
Inside Tank Mounting	= 02				

CMD
EXP/11.11

Exhaust & Prefill Valve Type : EXP

LOGO

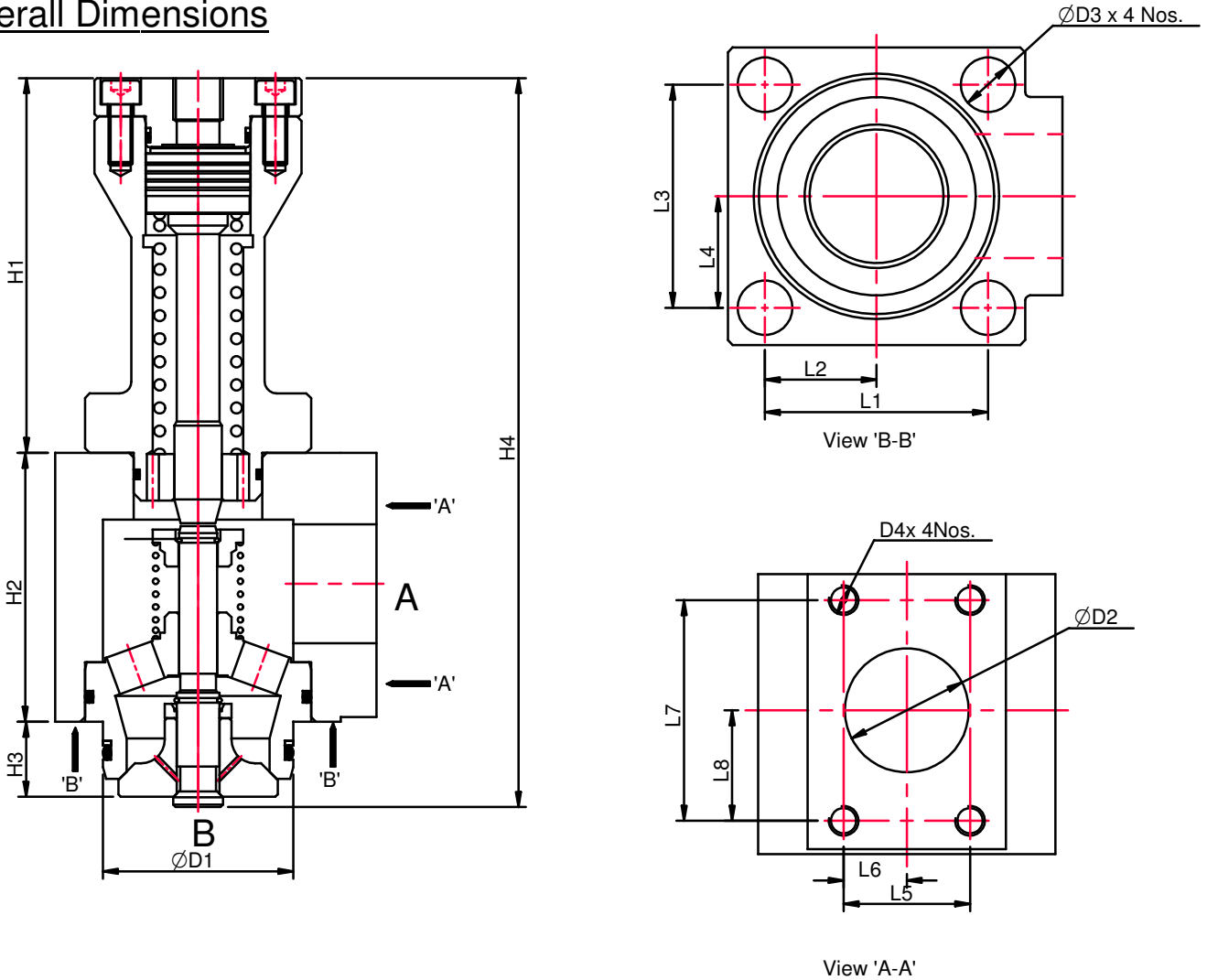
Replaces : EXP/02.10

Size : 50 to 80

up to 315 bar

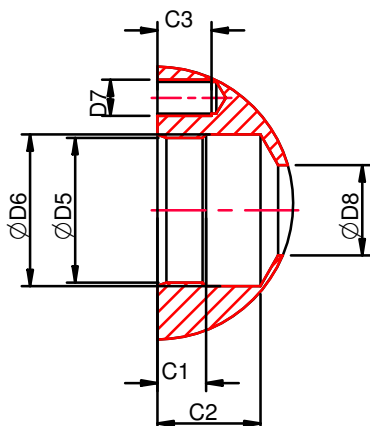
CM Hydro Systems Pvt Ltd

Overall Dimensions



Size	H1	H2	H3	H4	ØD1	ØD2	ØD3	L1	L2	L3	L4	D4	L5	L6	L7	L8
50	158	113	32	307	80	50	22	90	45	90	45	M12	51	25.5	89	44.5
63	204	139	41	389	95	63	26	105	52.5	105	52.5	M16	62	31	106.5	53.25
80	227	160	38.5	430.5	115	76	33	130	65	130	65	M16	62	31	106.5	53.25

Mounting dimensions

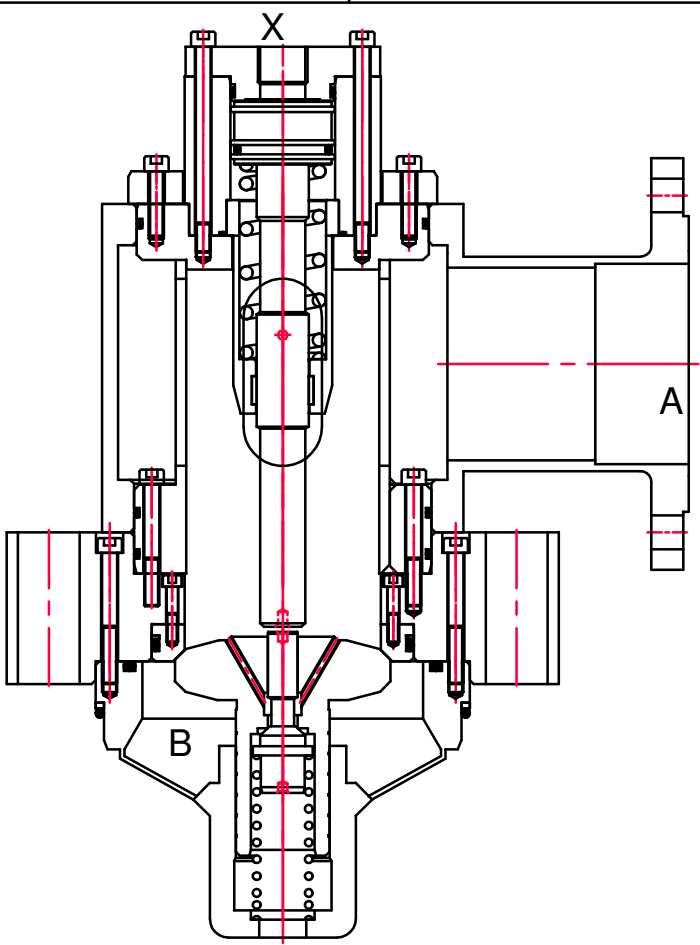
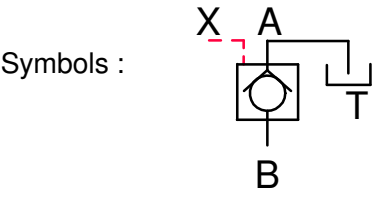
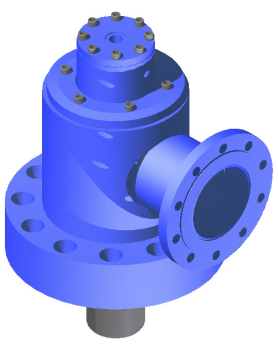


Size	ØD5	ØD6	D7	ØD8	C1	C2	C3	Bolts Required
50	80	84	M20	50	25	57	30	SCH M20 x 140 Lg
63	95	104	M24	63	25	64	42	SCH M24 x 180 Lg
80	115	130	M30	80	30	76	50	SCH M30 x 200 Lg

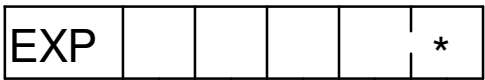
CMD EXP/11.11		Exhaust & Prefill Valve Type : EXP				LOGO			
Replaces : EXP/02.10						Size : 50 to 80		up to 315 bar	
Technical data (for other sizes and special application, please contact mktg@cmhydraulics.com)									
Maxmium operating pressure				bar		315 Bar			
Mounting Type				Flange Mounting Inside Tank Mounting					
Maxmium flow (LPM)			Size		Velocity (m/sec)				
					1	2	3	4	5
			50	117	234	351	468	585	
			63	186	372	558	744	930	
			80		300	600	900	1200	1500
Pressure fluid				Mineral oil (HL,HLP) to DIN 51 524; Fast bio-degradable pressure fluids to VDMA 24 568;HTEG (rape seed oil); HEPG (polyglycol); HEES (synthetic ester); other fluids on request					
Pressure fluid - temperature range				°C		- 30 to + 80			
Viscosity range				mm ² /s		2.8 to 500			
Degree of contamination				Maxmium premissible degree of contamination of the fluid is to NAS 1638 class 9.					
Weight			Size		50	63	80		
			Kg.		16	27	50		

CMD EXP/11.11	Exhaust & Prefill Valve Type : EXP		LOGO
Replaces : EXP/02.10	Size : 100 to 125	up to 315 bar	CM Hydro Systems Pvt Ltd

- Features :**
- A to B free flow
 - B to A Pilot Operated
 - Available with decompression
 - Directly Mounted to Hydraulic Cylinder or Tank mounted



Ordering code :



Nominal size 100	= 100
Nominal size 125	= 125
<hr/>	
Mounting	
Flange Mounting	= 01
Inside Tank Mounting	= 02

Further details to specify
Revision status index
1 = With Decompression

CMD
EXP/11.11

Exhaust & Prefill Valve Type : EXP

LOGO

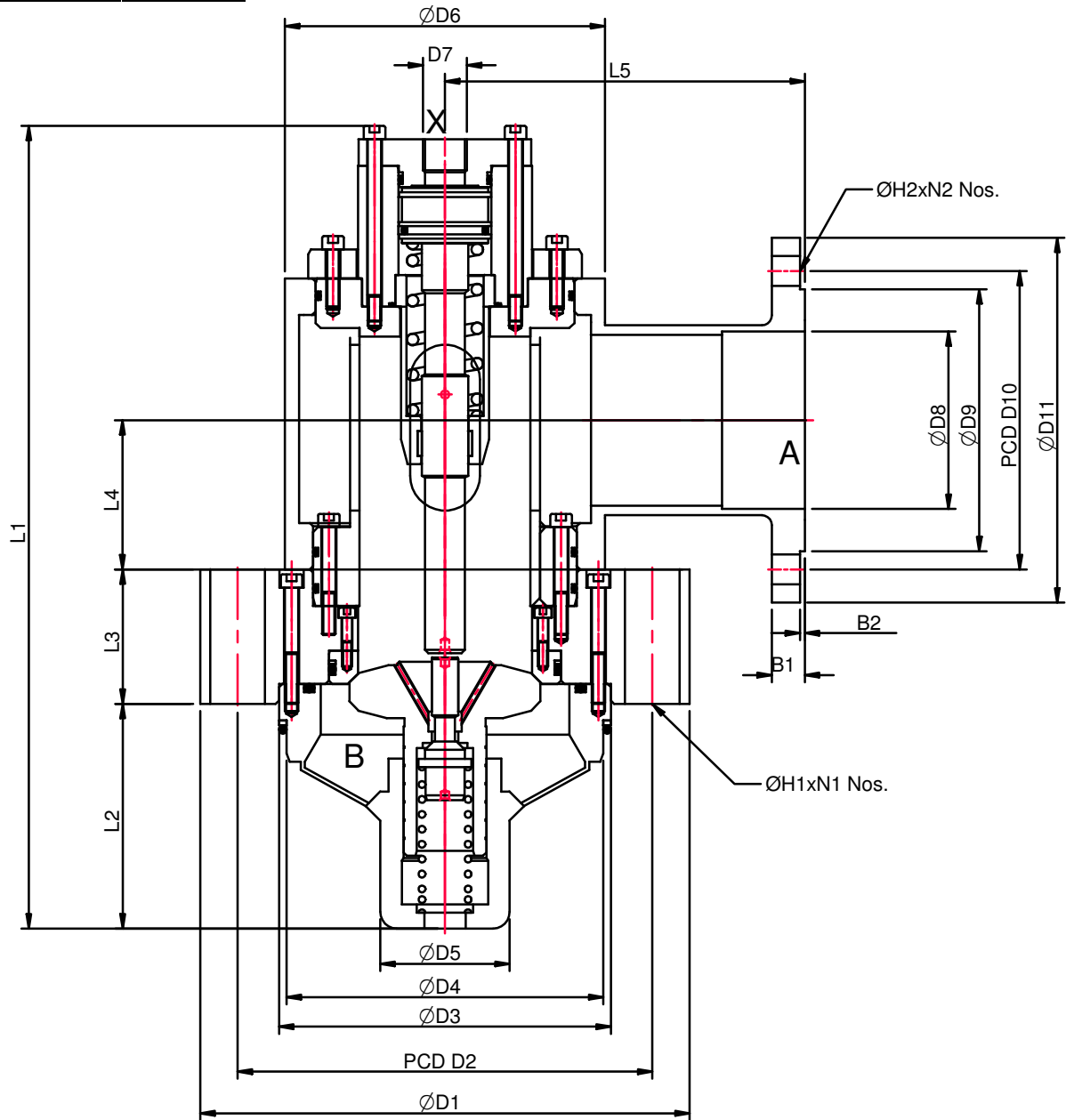
Replaces : EXP/02.10

Size : 100 to 125

up to 315 bar

CM Hydro Systems Pvt Ltd

Overall Dimensions

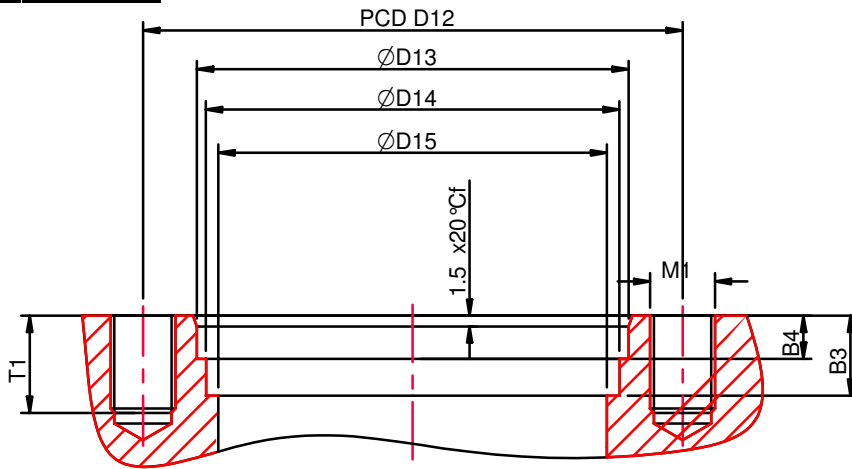


Size	L1	L2	L3	L4	L5	$\varnothing D1$	D2	$\varnothing D3$	$\varnothing D4$	$\varnothing D5$	$\varnothing D6$	$\varnothing D7$	$\varnothing D8$	$\varnothing D9$	D10	$\varnothing D11$
100	484	136	81	90	217	295	250	200	191	78	193	3/4" BSP	107	158	180	220
125	589	160	90	120	247.5	370	310	250	242	98	245	3/4" BSP	131	188	210	250

Size	B1	B2	H1	N1	H2	N2
100	20	3	$\varnothing 33$	12	$\varnothing 18$	10
125	20	3	$\varnothing 40$	12	$\varnothing 18$	10

CMD EXP/11.11	Exhaust & Prefill Valve Type : EXP		LOGO
Replaces : EXP/02.10	Size : 100 to 125	up to 315 bar	CM Hydro Systems Pvt Ltd

Mounting dimensions



Size	D12	ØD13	ØD14	ØD15	B3	B4	M1	T1	Bolts Required
100	250	200	191.6	180	37	20	M30 x 12 Nos.	45	SCH M30 x 120 Lg.
125	310	250	241.6	230	25	20	M36 x 12 Nos.	65	SCH M36 x 150 Lg.

Technical data (for other sizes and special application, please contact mktg@cmhydraulics.com)

Maximum operating pressure	bar	315 Bar				
Mounting Type	Flange Mounting Inside Tank Mounting					
Maximum flow (LPM)	Size	Velocity (m/sec)				
		1	2	3	4	5
	100	470	940	1410	1880	2350
	125	735	1470	2205	2940	3675
Pressure fluid	Mineral oil (HL,HLP) to DIN 51 524; Fast bio-degradable pressure fluids to VDMA 24 568;HTEG (rape seed oil); HEPG (polyglycol); HEES (synthetic ester); other fluids on request					
Pressure fluid - temperature range	°C	- 30 to + 80				
Viscosity range	mm ² /s	2.8 to 500				
Degree of contamination	Maximum permissible degree of contamination of the fluid is to NAS 1638 class 9.					
Weight	Size	100	125			
	Kg.	70	120			