

CMD
CMC/11.11

Hydraulic Cylinder Type CMC

LOGO

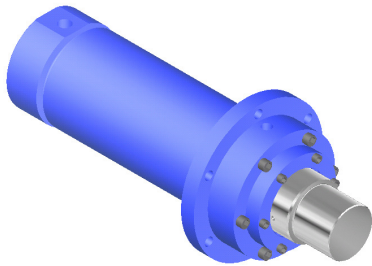
Replaces : CMC/10.09

Size 40 to 300

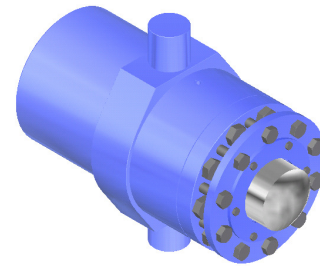
up to 250bar

up to 3000 St

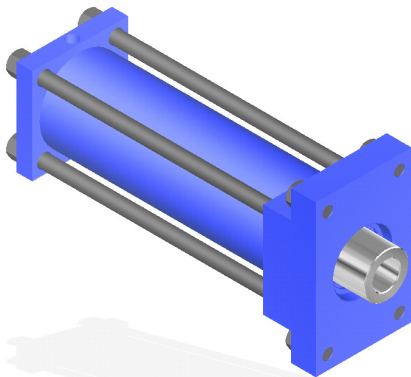
CM Hydro Systems Pvt Ltd



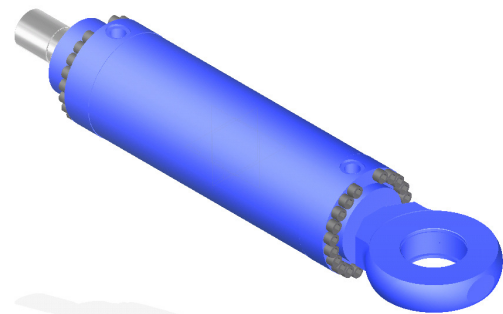
PRESS CYLINDERS



MILL TYPE CYLINDERS



TIE ROD TYPE CYLINDERS



CUSTOM BUILT CYLINDERS

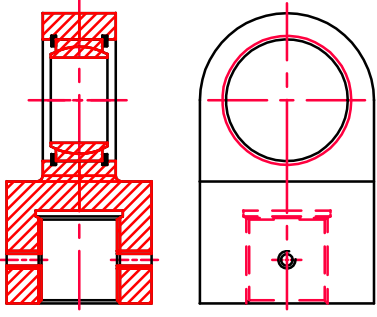
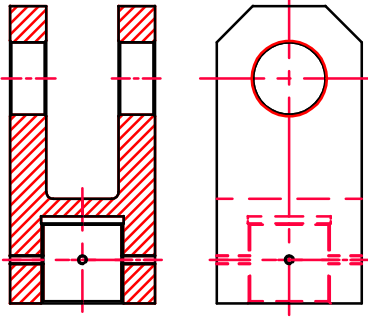
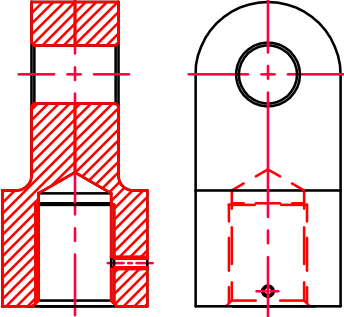
- Available in Single Acting / Double Acting.
- Available in different mounting styles as required.

FEATURES

- Seamless steel tube inside diameter honed and Cr. Plated
- Alloy Steel Rod Toughened ground and Cr. Plated.
- Carbon Steel Cylinder Head.
- Seals as per the pressure and performance requirement.
- Piston made of Cast Iron grade IS210 Gr.25 / Carbon Steel.
- Inlet & outlet ports are provided with BSP taps.
- Bronze filled guide rings.

CMD CMC/11.11		Hydraulic Cylinder Type CMC		LOGO
Replaces : CMC/10.09		Size 40 to 300	up to 250bar	up to 3000 St
CM Hydro Systems Pvt Ltd				

Rod End Attachment.

		
1. Self Aligning Bearing: Style 1	2. Clevis Attachment (Female): Style 2	3. Clevis Attachment (Male): Style 3

Technical data (for other sizes and special application, please contact mktg@cmhydraulics.com)

Maximum pressure	bar	250 bar
Testing pressure	bar	1.5 x Maximum working pressure.
Pressure fluid		Mineral oil (HL, HLP) to DIN 51 524; Fast bio-degradable pressure fluids to VDMA 24 568; HTEG (rape seed oil); HEPG (polyglycol); HEES (synthetic ester); other fluids on request
Pressure fluid - temperature range	°C	- 30 to + 80
Viscosity range	mm ² /s	2.8 to 500
Degree of contamination		Maximum permissible degree of contamination of the fluid is to NAS 1638 class 9.

CMD
CMC/11.11

Hydraulic Cylinder Type CMC

LOGO

Replaces : CMC/10.09

Size 40 to 300

up to 250bar

up to 3000 St

CM Hydro Systems Pvt Ltd

CMC	Ø63	Ø45	100	M	A	C	1	2	-	*
-----	-----	-----	-----	---	---	---	---	---	---	---

Bore Ø in mm

Ø40, Ø50, Ø63, Ø80, Ø100, Ø125, Ø150
Ø160, Ø180, Ø200, Ø250, Ø300

Piston Rod Ø in mm

Ø16, Ø25, Ø35, Ø38, Ø45, Ø56, Ø63, Ø70, Ø80
Ø90, Ø100, Ø110, Ø125, Ø140, Ø200, Ø250

Stroke in mm.

Construction

Tie Rod Construction

=T

Mill Type Construction

=M

Mounting Styles

Refer Mounting Styles

Customised mounting

=C

Futher Details to specify

Omit if not Require
Position Sensor

Seal

1=

NBR.

2=

Viton / Ecopur.

Cushioning

1=

Non Cushioning.

2=

Head End Side Self Regulating.

3=

Rod End Side Self Regulating.

4=

Both End Side Self Regulating.

5=

Both End Adjustment.

Rod End Attachment

Refer Rod end attachment

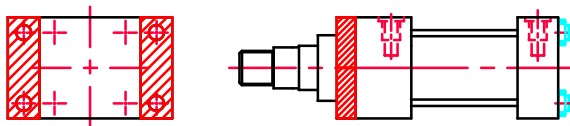
Customised attachment

C=

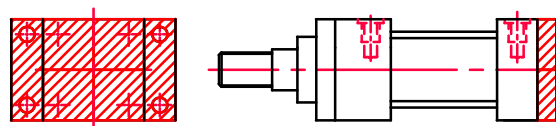
MOUNTING STYLES

Different mounting styles are given as below. Each mounting style has its code as below and has to be referred. The mounting styles other than specified below will be supplied on request.

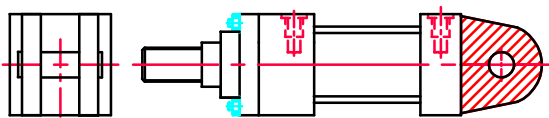
1. Front Flange Attachment: Style 1



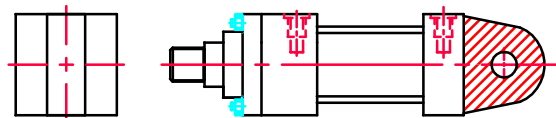
2. Rear Flange Attachment: Style 2



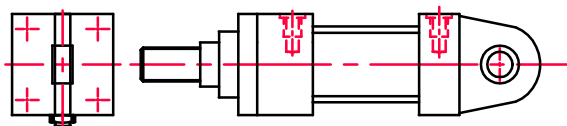
3. Clevis Attachment (Female): Style 3



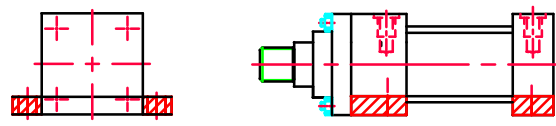
4. Clevis Attachment (Male): Style 4



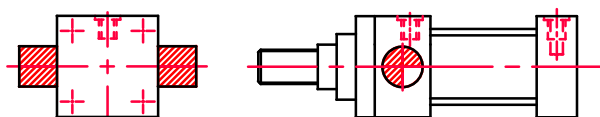
5. Swivel Attachment with Eye : Style 5



6. Foot Attachment: Style 6



7. Front Body Trunnion Attachment: Style 7



8. Mid Body Trunnion Attachment : Style 8

