

CMD
NV/11.11

Needle valve type NV

LOGO

CM Hydro Systems Pvt Ltd

Replaces : NV/10.09

Size : 06 to 15

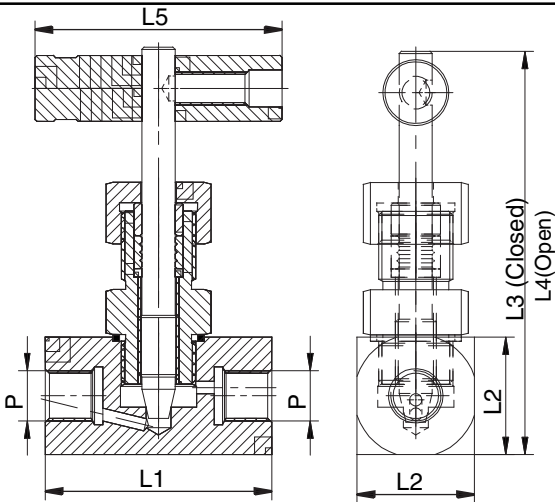
up to 1000 bar

up to 450 L/min.

Features :

- For Inline mounting
- For Panel Mounting
- Material Steel & SS

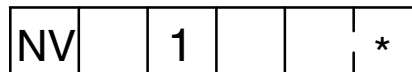
Symbols :



Size	P	L1	L2	L3	L4	L5
06	1/4" BSP	55	28.5	98	108	60
08	3/8" BSP	65	28.5	99	108	60
10	1/2" BSP	70	32	101	112	60
15	3/4" BSP	90	36	103	115	60

(For 400 Bar Pressure)

Ordering code



Nominal size 06
Nominal size 08
Nominal size 10
Nominal size 15

Material - Steel
Material - SS

Further details to specify
Revision status index

400= Up to 400 Bar
700= Up to 700 Bar

Technical data (for special application, please contact mktg@cmhydraulics.com)

Maximum operating pressure	bar	300, 700~1000 Bar			
Maximum flow	Size	06	08	10	15
	L/min.	18	36	60	150
Pressure fluid		Mineral oil (HL,HLP) to DIN 51 524; Fast bio-degradable pressure fluids to VDMA 24 568;HTEG (rape seed oil); HEPG (polyglycol); HEES (synthetic ester); other fluids on request			
Pressure fluid - temperature range	°C	- 30 to + 80			
Viscosity range	mm ² /s	2.8 to 500			
Degree of contamination		Maximum permissible degree of contamination of the fluid is to NAS 1638 class 9.			
Weight	Size	06	08	10	15
	Kg.	0.55	0.55	0.75	0.8